

Control valve(3/2 way)

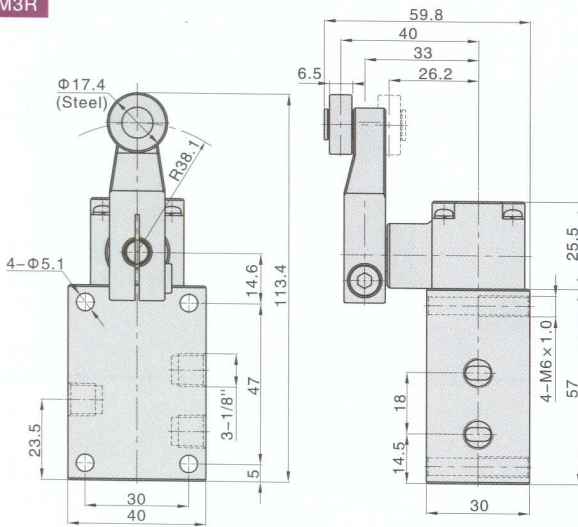
ZM3 Series

■ Dimensions



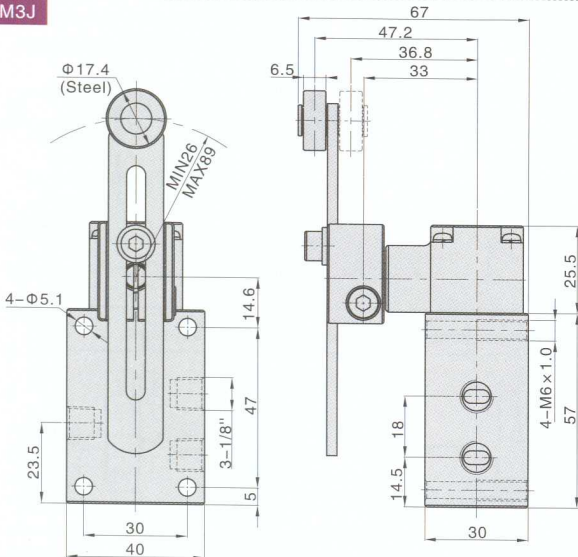
ZM3

ZM3R



Model Item	ZM3R06	ZM3R06 -W
F.O.F.	20N	20N
P.T.	20°	25°
O.T.	30°	50°
T.T.	50°	75°

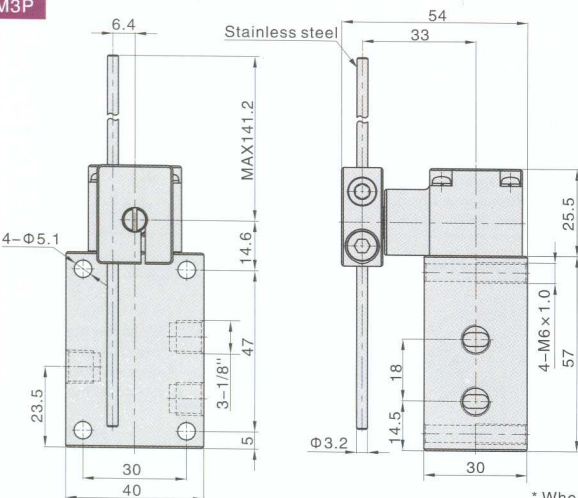
ZM3J



Model Item	ZM3J06	ZM3J06 -W
F.O.F. *	20N	20N
P.T.	20°	25°
O.T.	30°	50°
T.T.	50°	75°

* When the length of leverage is 38.1mm

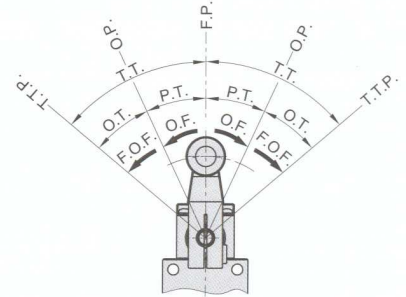
ZM3P



Model Item	ZM3P06	ZM3P06 -W
F.O.F. *	2.3N	2.3N
P.T.	20°	25°
O.T.	30°	50°
T.T.	50°	75°

* When the length of leverage is 141.2mm

Description of symbol



- F.P. Free position: the position of control head when no external force applied;
- O.P. Activity position: the position when the control head is applied with external force and the valve is transferred;
- T.T.P. Extreme position of activity: position of control head when it is pushed until non-movement;
- O.F. Activity power: when driving from free position to activity position, the operation power applied on control head;
- F.O.F. Extreme activity power: when driving from free position to extreme activity position, the operation power applied on control head;
- P.T. Free route: movement distance or rotation angle from free position of control head to activity position;
- O.T. Activity route: movement distance or rotation angle from activity position of control head to extreme activity position;
- T.T. Total route: movement distance or rotation angle from free position of control head to extreme activity position;

