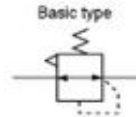


REGOLATORI DI PRECISIONE MODELLO "KIR"

◆ Standard Specifications

JIS Symbol



Model	Basic type		
	KIR10□0	KIR20□0	KIR30□0
Max. supply pressure	Max. 1.0 MPa		
Min. supply pressure ⁽¹⁾	Set pressure + 0.05 MPa		Set pressure + 0.1 MPa
Regulating pressure range	KIR1000: 0.005 to 0.2 MPa KIR1010: 0.01 to 0.4 MPa KIR1020: 0.01 to 0.8 MPa	KIR2000: 0.005 to 0.2 MPa KIR2010: 0.01 to 0.4 MPa KIR2020: 0.01 to 0.8 MPa	KIR3000: 0.01 to 0.2 MPa KIR3010: 0.01 to 0.4 MPa KIR3020: 0.01 to 0.8 MPa
Input signal ⁽²⁾ pressure	—		
Sensitivity	Within 0.2% of full span		
Repeatability	Within ±0.5% of full span		
Linearity ⁽³⁾	—		
Air consumption ⁽⁴⁾ (At supply pressure of 1.0 MPa)	4.4 ℓ/min (ANR) or less	4.4 ℓ/min (ANR) or less	11.5 ℓ/min (ANR) or less
Port size	Rc 1/8	Rc 1/4	Rc 1/4, 3/8, 1/2
Pressure gauge port	Rc 1/8 (2 locations)		
Ambient and fluid temperature	-5 to 60°C (No freezing)		
Mass (kg)	0.14	0.30	0.64

◆ How to Order

KIR 2 0 0 0 — 02 □

Precision regulator

Body size

1	KIR1000
2	KIR2000
3	KIR3000

Type of setting

0	Basic type (Handle)
---	---------------------

Regulating pressure range
For series KIR1000/2000

0	0.005 to 0.2 MPa
1	0.01 to 0.4 MPa
2	0.01 to 0.8 MPa

Thread type

Nil	Rc
N	NPT*
F	G*

* Option

Accessory

Nil	None
B	With bracket
G	With pressure gauge*

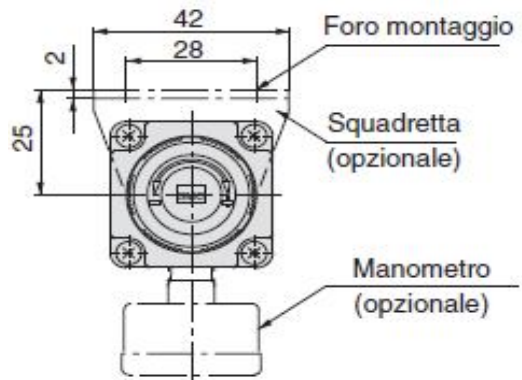
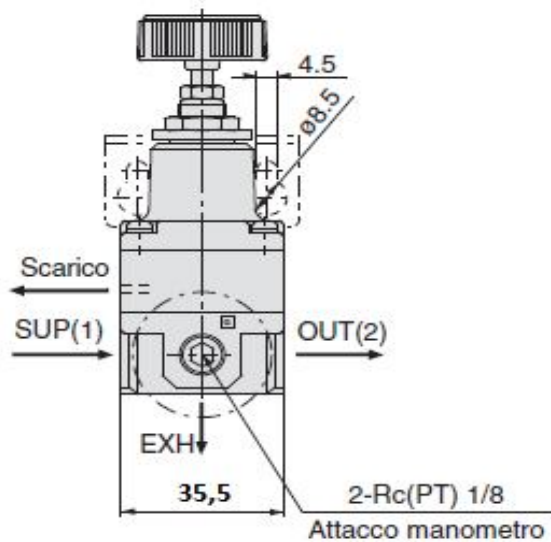
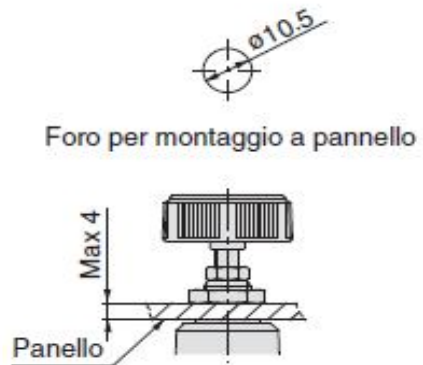
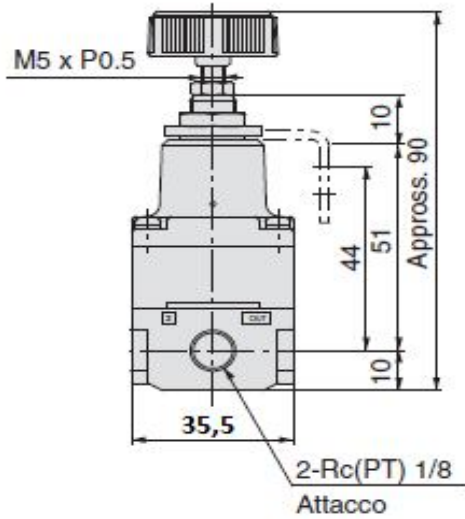
For series KIR3000

0	0.01 to 0.2 MPa
1	0.01 to 0.4 MPa
2	0.01 to 0.8 MPa

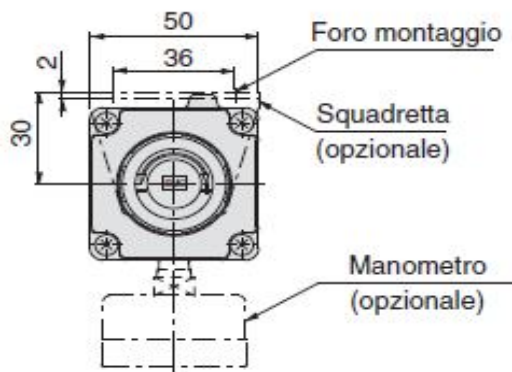
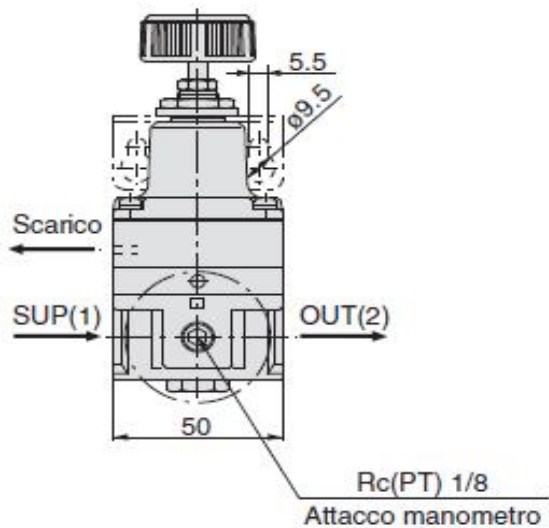
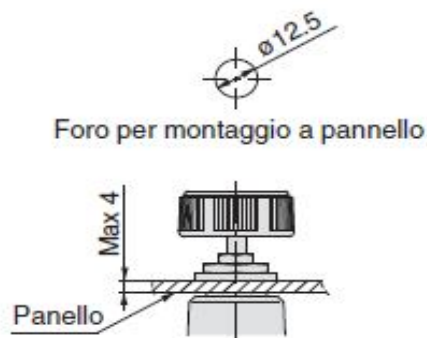
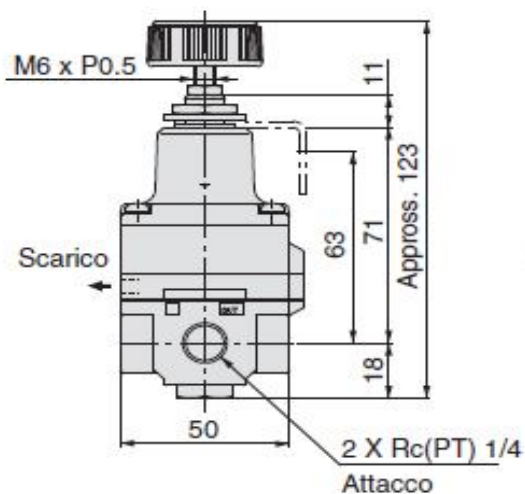
Port size

Symbol	size	Application		
		KIR1000	KIR2000	KIR3000
01	1/8	●		
02	1/4		●	●
03	3/8			●
04	1/2			●

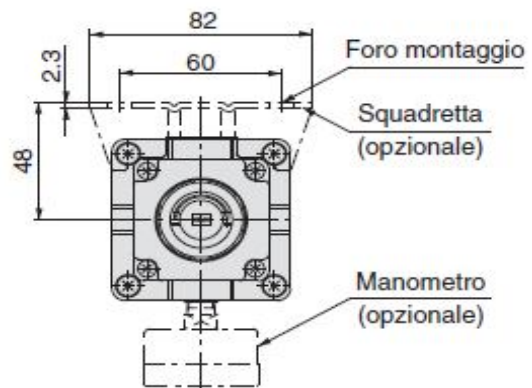
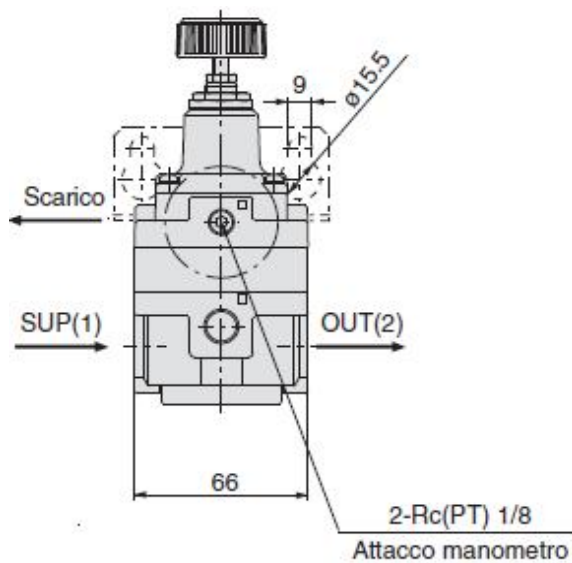
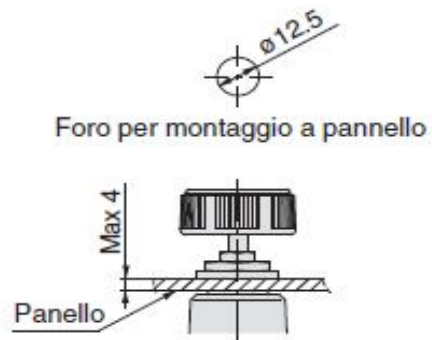
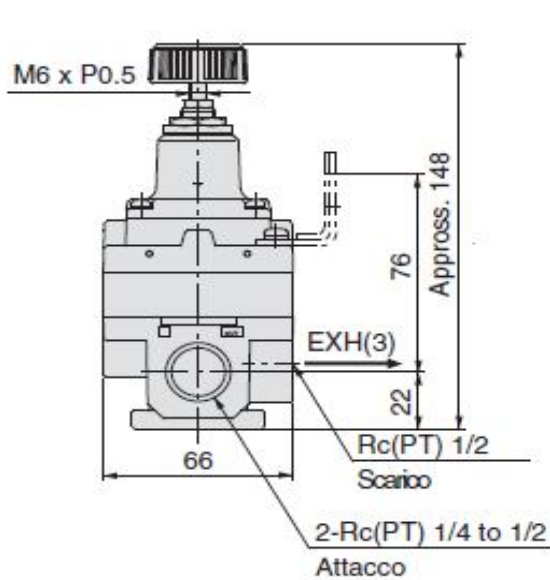
KIR 10..



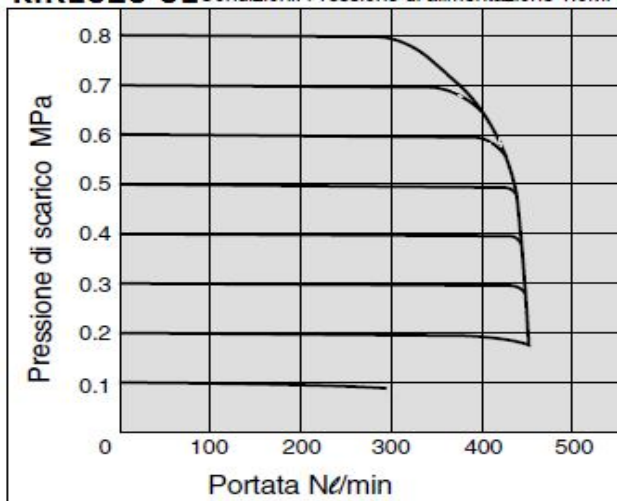
KIR 20..



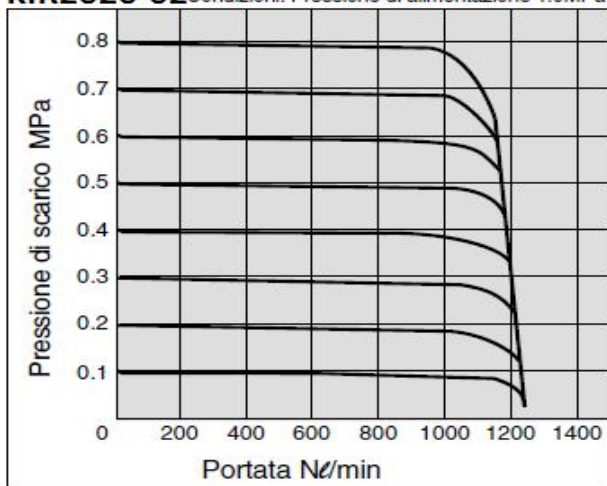
KIR 30..



KIR1020-01 Condizioni: Pressione di alimentazione 1.0MPa



KIR2020-02 Condizioni: Pressione di alimentazione 1.0MPa



KIR3020-03 Condizioni: Pressione di alimentazione 01.0MPa

