

MCJU series

PLATE OVAL CYLINDER (NON-ROTATION ROD)

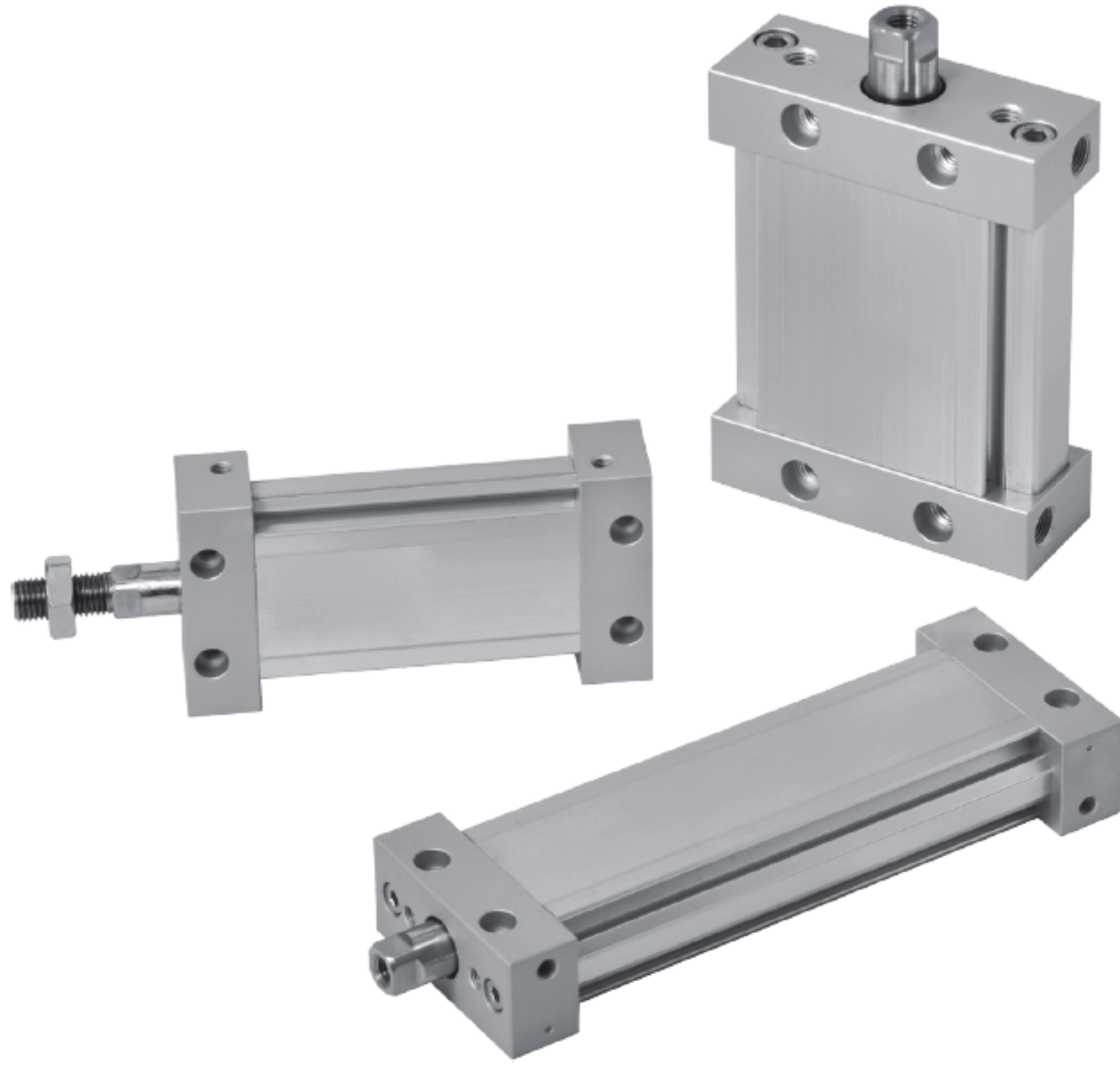
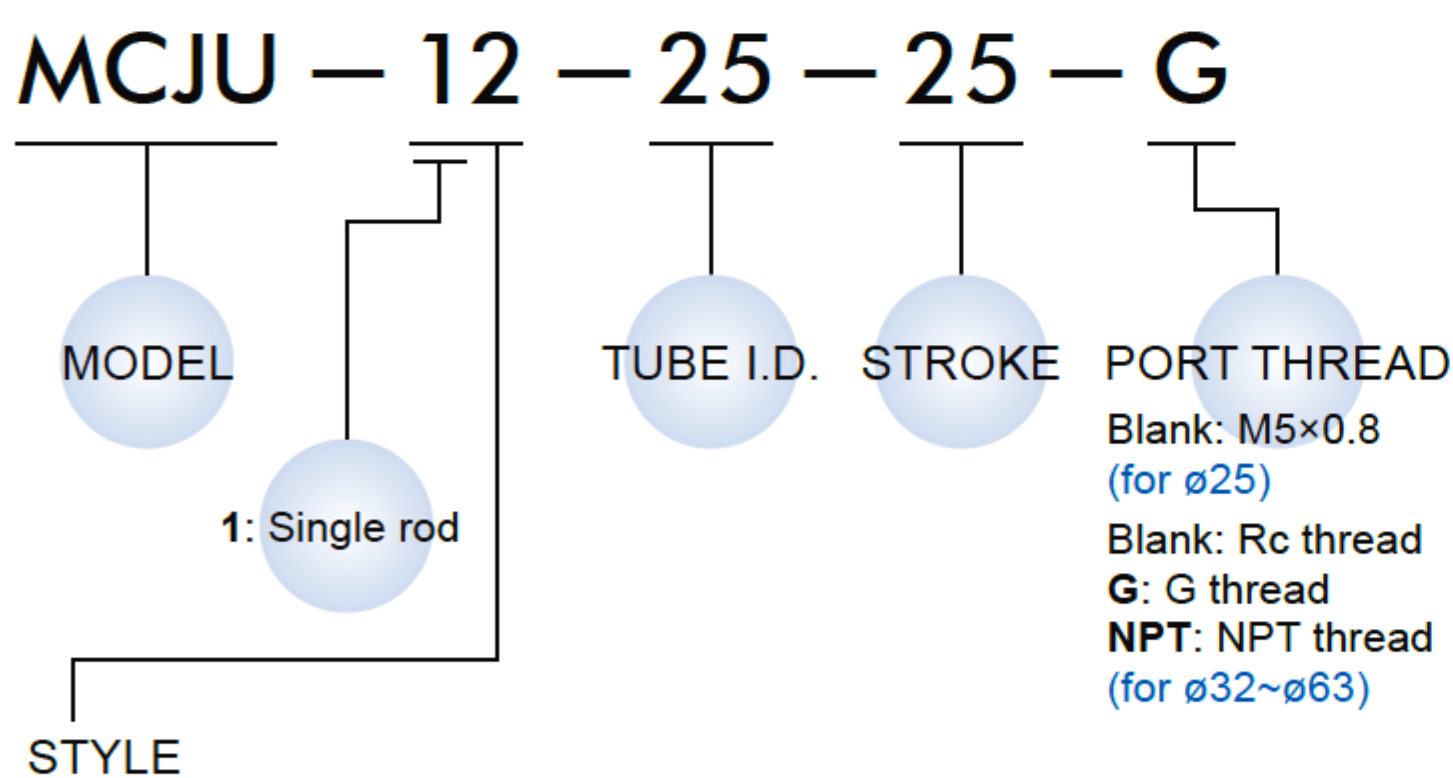


Table for standard stroke

Tube I.D.	Stroke (mm)	Max. stroke
ø25,32,40 50,63	5,10,15,20,25,30,40,50,75, 100,200,250	300

- Please consult us if stroke out of specification.

Order example



Code	Symbol	Description
1 1		Double acting / Male thread
1 2		Double acting / Female thread

- * Order example for special specification, refer to page 0-7.

Features

- Plate type design for ultra compact, Oval piston design for space saving.
- Sensor slots on sides for flush mounting of proximity sensors.
- Magnetic as standard.

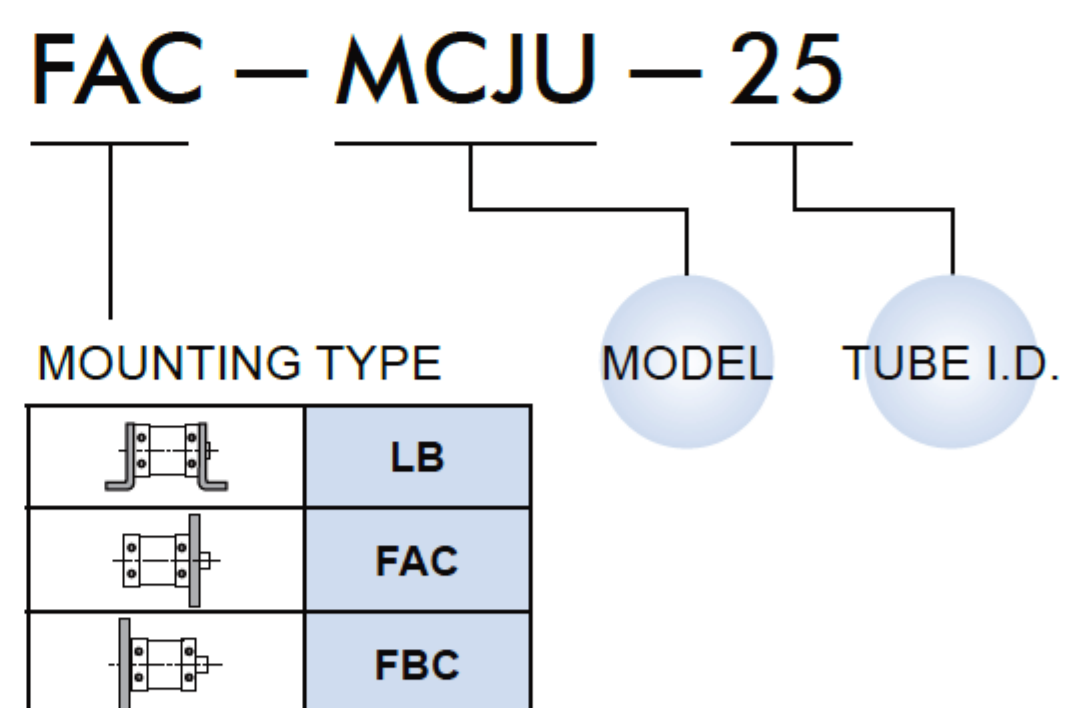
Specification

Model	MCJU				
Acting type	Double acting				
Tube I.D. (mm)	25	32	40	50	63
Port size	M5×0.8	Rc1/8		Rc1/4	
Medium	Air				
Operating pressure range	0.05~0.7 MPa				
Proof pressure	1.0 MPa				
Cushion	Rubber bumper				
Lubricator	Without lubrication				
Stroke length tolerance (*1)	+0~+1.5 mm				
Ambient temperature	-5~+60°C (No freezing)				
Available speed range	50~500 mm/sec				
Sensor switch (*2)	RDF, RDGV				

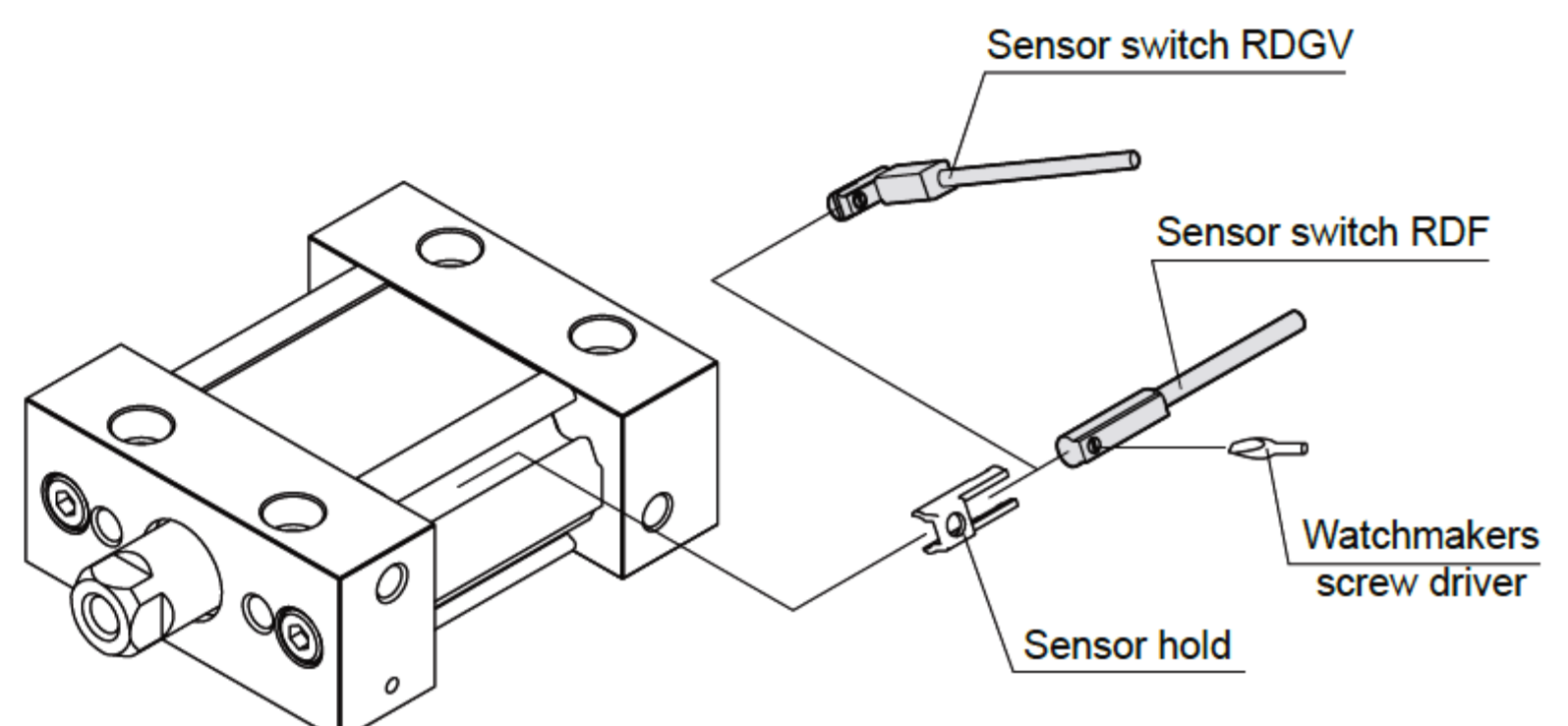
- *1. Stroke length tolerance does not include the amount of bumper change.

- *2. RDF, RDGV specification, please refer to page 8-16, 17.

Mounting accessories

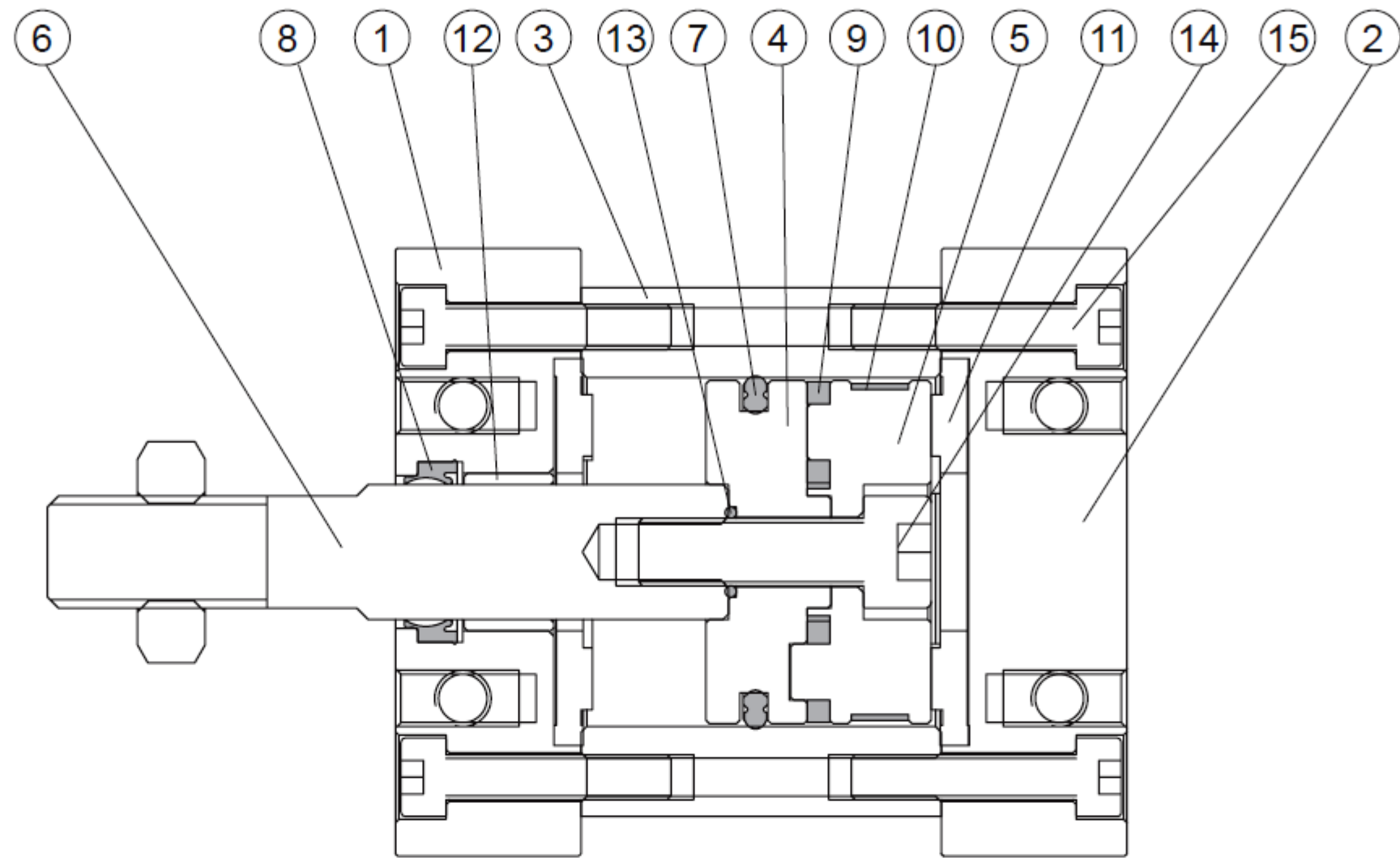


Installation of sensor switch



MCJU Inside structure & Parts list

PLATE OVAL CYLINDER (NON-ROTATION ROD)



Material

No.	Part name	Material	Q'y	Repair kits (inclusion)
1	Rod cover	Aluminum alloy	1	
2	End cover	Aluminum alloy	1	
3	Tube	Aluminum alloy	1	
4	Piston-R	Aluminum alloy	1	
5	Piston-H	Aluminum alloy	1	
6	Piston rod	Carbon steel	1	
7	Piston packing	NBR	1	●
8	Rod packing	NBR	1	●
9	Magnet ring	Magnet material	2	
10	Wear ring	Teflon	1	
11	Cushion	PU	1	
12	Bush	Bearing alloy	1	
13	O-ring	NBR	1	
14	Screw	Stainless steel	1	
15	Screw	Stainless steel	4	

Order example

Repair kits

Tube I.D.	Repair kits
ø25	PS-MCJU-25
ø32	PS-MCJU-32
ø40	PS-MCJU-40
ø50	PS-MCJU-50
ø63	PS-MCJU-63

Cylinder weight

Unit: g

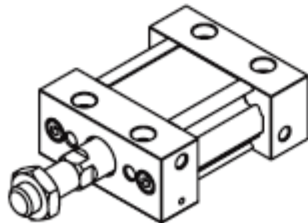
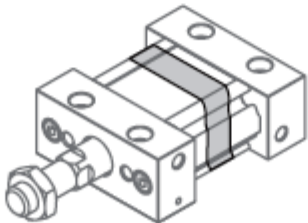
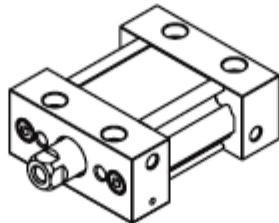
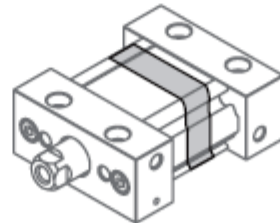
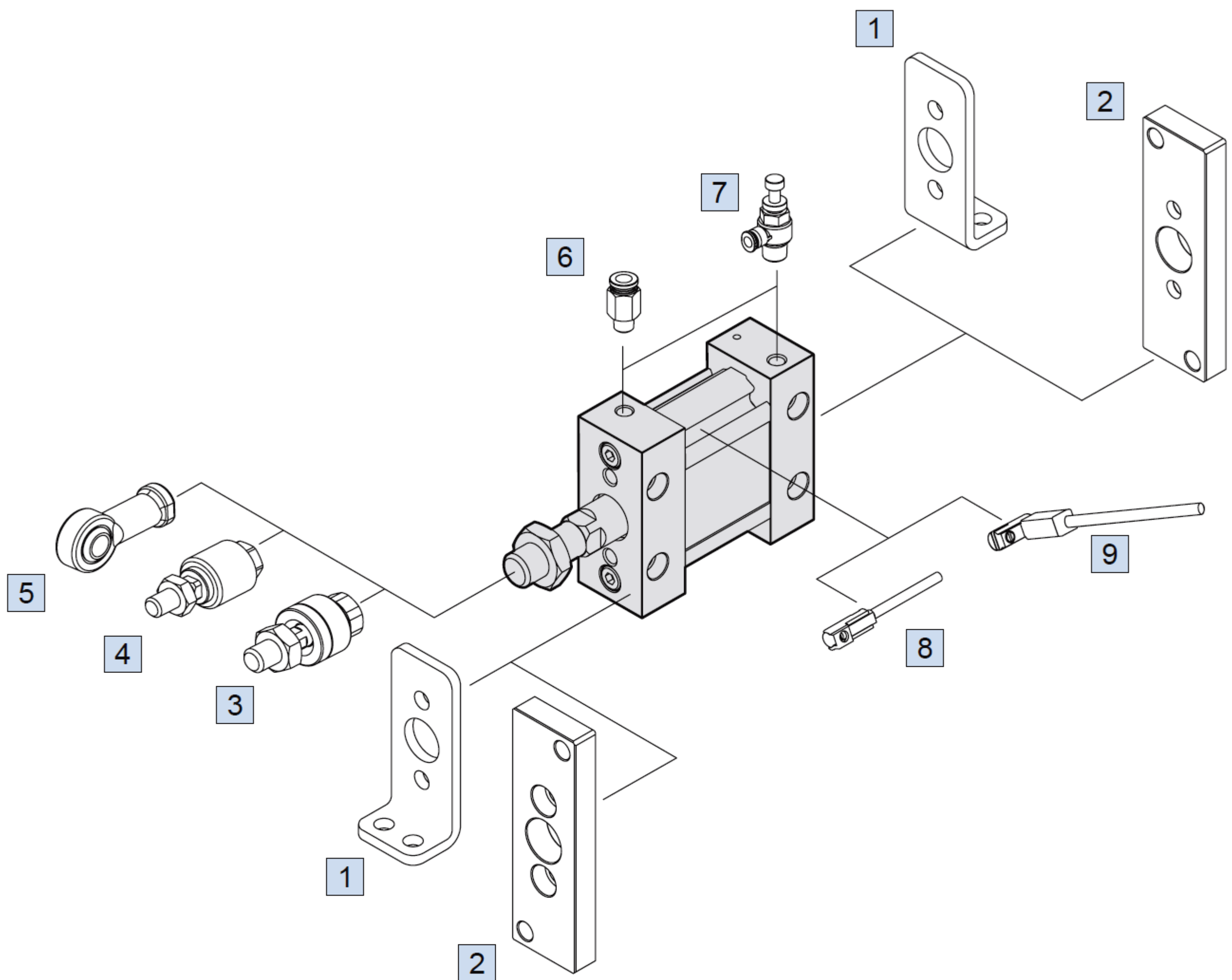
Model	Basic weight MCJU-11	Stroke 10mm MCJU-11	Basic weight MCJU-12	Stroke 10mm MCJU-12
Tube I.D.				
ø25	192	20	167	20
ø32	320	27	282	27
ø40	454	37	403	37
ø50	846	57	768	57
ø63	1234	76	1157	76

PLATE OVAL CYLINDER (NON-ROTATION ROD)

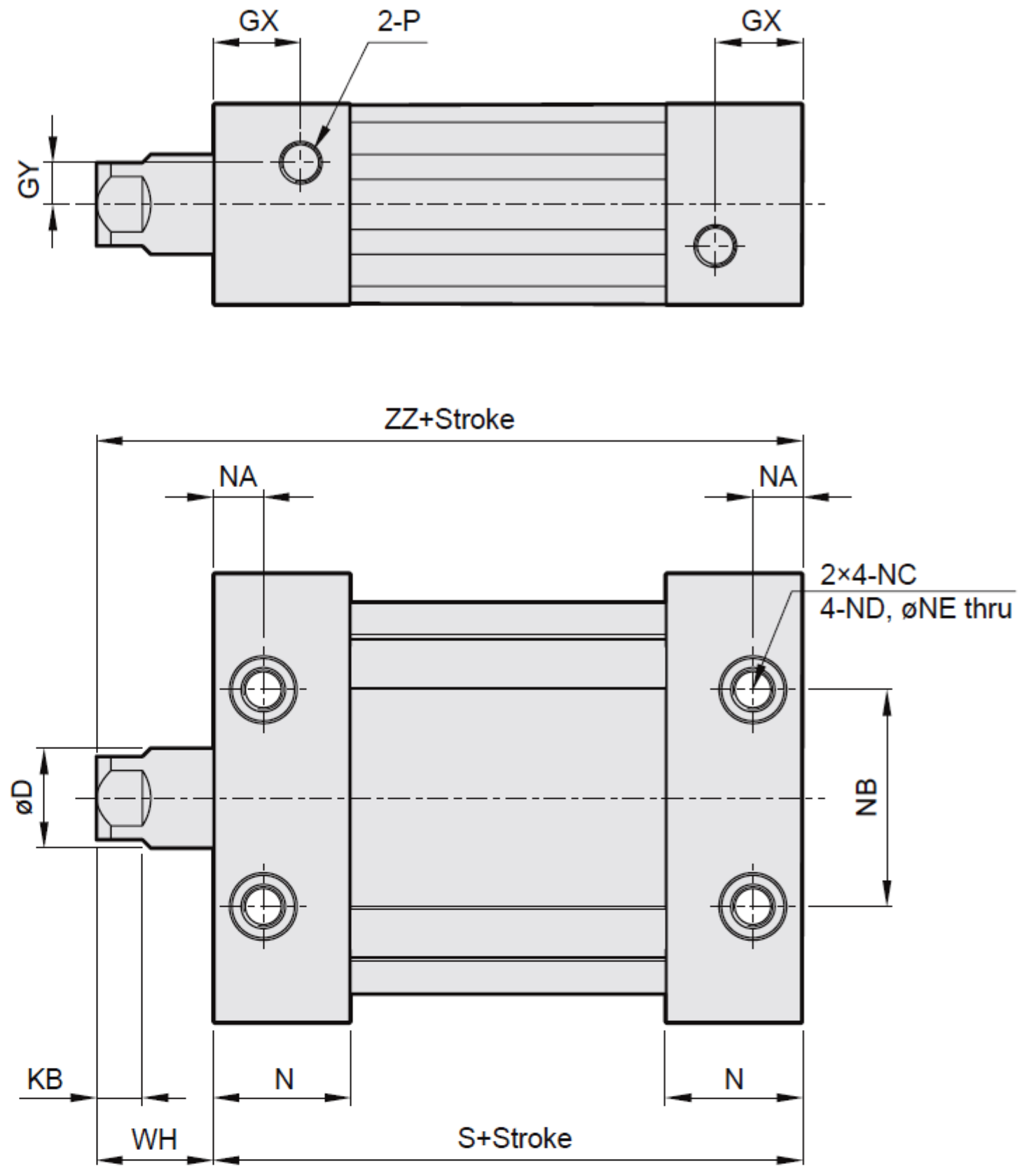


No.	Accessories	Page
1	Mounting accessories LB	2-51
2	Mounting accessories FAC/FBC	2-51
3	Floating joint MFC	8-2
4	Floating joint MFCS	8-4
5	Female rod ends PHS	8-5
6	Fitting PC (PISCO)	8-5 (Vol.1)
7	Speed controller JSC (PISCO)	8-18 (Vol.1)
8	Sensor switch RDF	8-16
9	Sensor switch RDGV	8-17

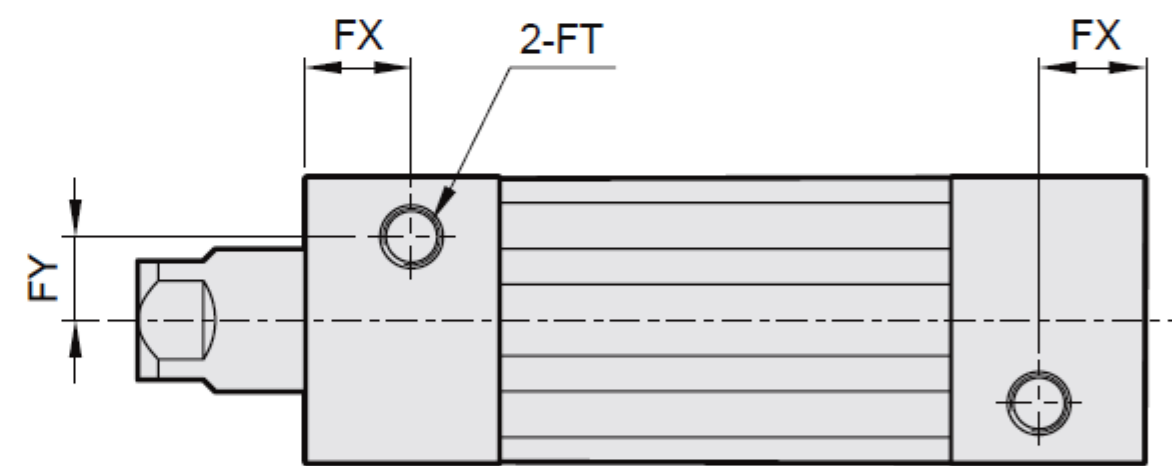
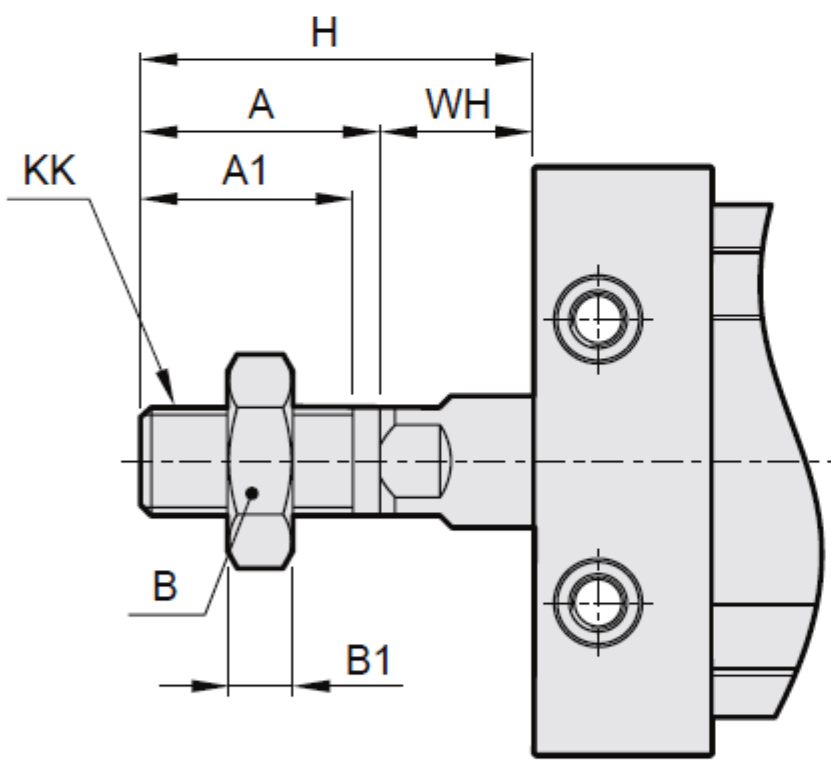
MCJU Dimensions $\phi 25 \sim \phi 63$

PLATE OVAL CYLINDER (NON-ROTATION ROD)

MCJU-12 Female thread



MCJU-11 Male thread



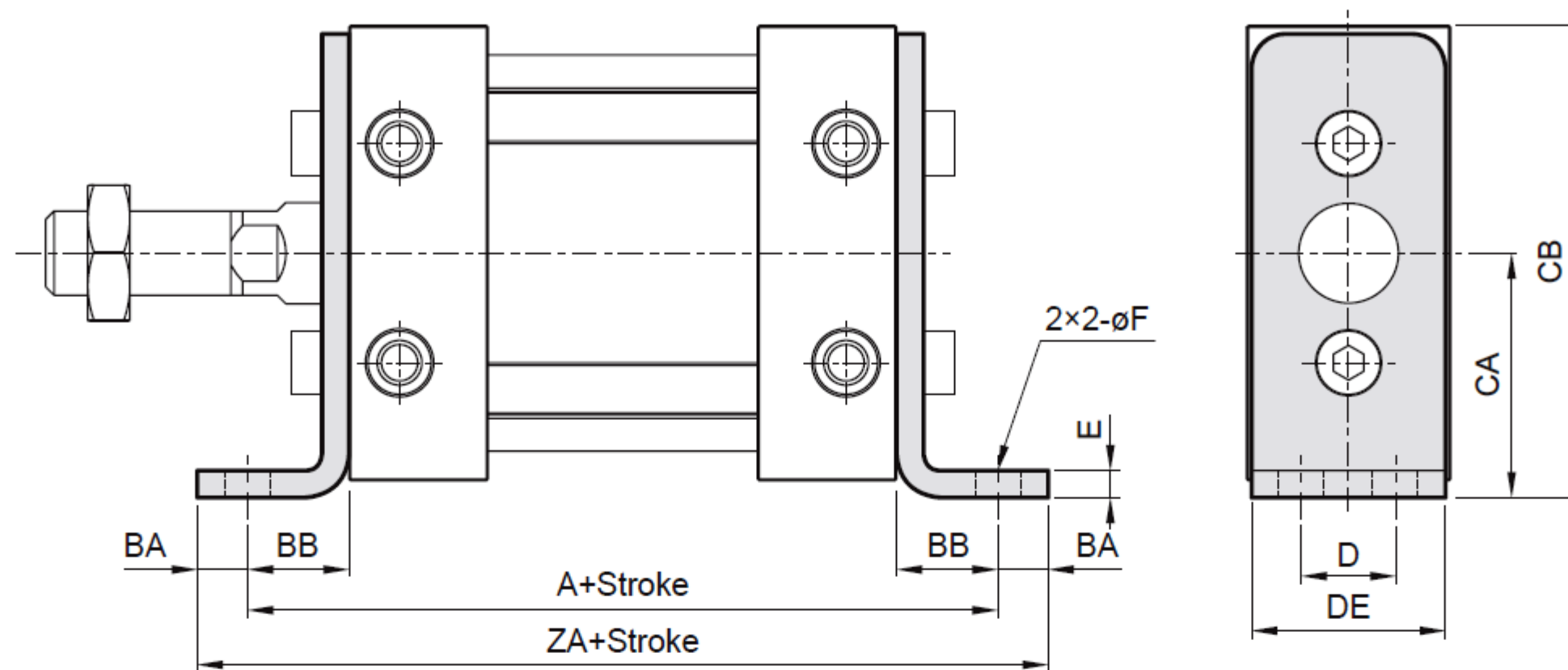
Code Tube I.D.	A	A1	B	B1	CA	CB	D	E	ET	FT	FX	FY	GX	GY	H	KA	KB	KK
25	22	19.5	17	6	54	24	12	26	M5×0.8×11dp	M5×0.8×7.5dp	9	7	10.5	5	36	10	5.5	M10×1.25
32	26	23.5	19	7	68	28	14	42	M6×1.0×11dp	M6×1.0×12dp	6.5	8	9	5.5	40	12	5.5	M12×1.75
40	30	27	22	8	86	32	16	54	M8×1.25×11dp	M8×1.25×13dp	8	9	10	7	45	14	6	M14×1.5
50	35	32	26	11	104	39	20	64	M10×1.5×15dp	M10×1.5×14.5dp	10	9	11.5	8	53	18	7	M18×1.5
63	35	32	26	11	124	50	20	72	M12×1.75×15dp	M12×1.75×18dp	11	12	11.5	10	56	18	7	M18×1.5

Code Tube I.D.	KT	N	NA	NB	NC	ND	NE	S	P	WH	ZZ
25	M6×1.0×12dp	16.5	6	26	sink $\phi 7.5 \times 4.5$ dp	M5×0.8	4.2	55	M5×0.8	14	69
32	M8×1.25×13dp	18	6.5	28	sink $\phi 9 \times 5.5$ dp	M6×1.0	5.1	58	Rc1/8	14	72
40	M8×1.25×13dp	18.5	8	36	sink $\phi 10.5 \times 6.5$ dp	M8×1.25	6.7	60	Rc1/8	15	75
50	M10×1.5×15dp	24	10	42	sink $\phi 13.5 \times 8.5$ dp	M10×1.5	8.5	74	Rc1/4	18	92
63	M10×1.5×15dp	24	11	46	sink $\phi 17 \times 10.5$ dp	M12×1.75	10.2	75	Rc1/4	21	96

MCJU Mounting accessories $\varnothing 25 \sim \varnothing 63$

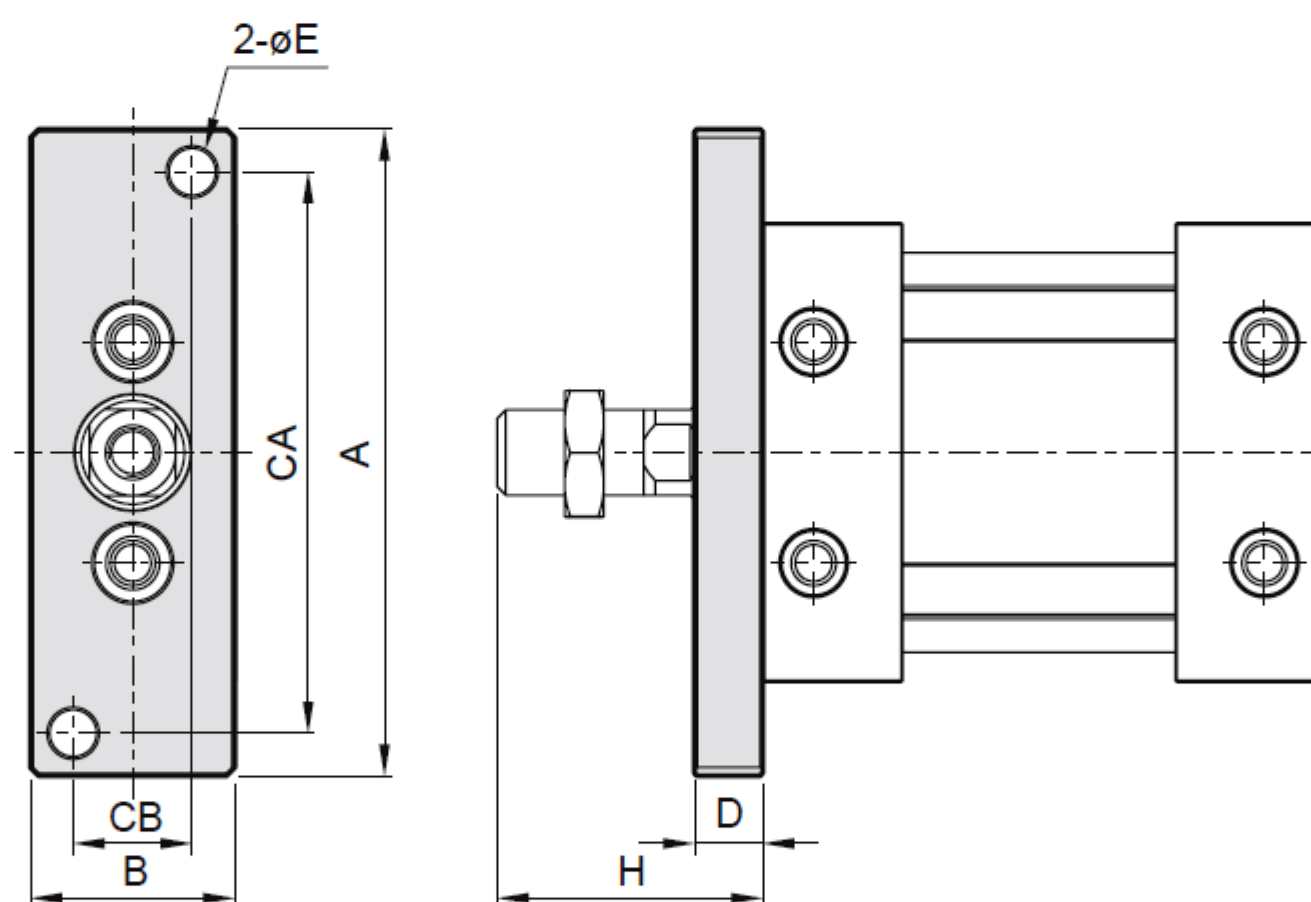
PLATE OVAL CYLINDER (NON-ROTATION ROD)

LB



Code Tube I.D.	A	BA	BB	CA	CB	D	DE	E	F	ZA
25	79	6	12	29	56	11	23	3.2	5.5	109
32	90	8	16	37	71	12	27	4.5	6.6	122
40	96	10	18	46	89	15	31	4.5	9	133
50	116	11	21	57	109	18	37	5	11	159
63	123	14	24	67	129	22	48	6	13.5	169

FAC



Code Tube I.D.	A	B	CA	CB	D	E	H	ZB
25	76	24	66	14	8	5.5	36	99
32	94	28	82	16	8	7	40	106
40	118	32	102	18	9	9	45	114
50	144	39	126	22	12	11	53	139
63	168	50	148	30	14	13	56	145

FBC

