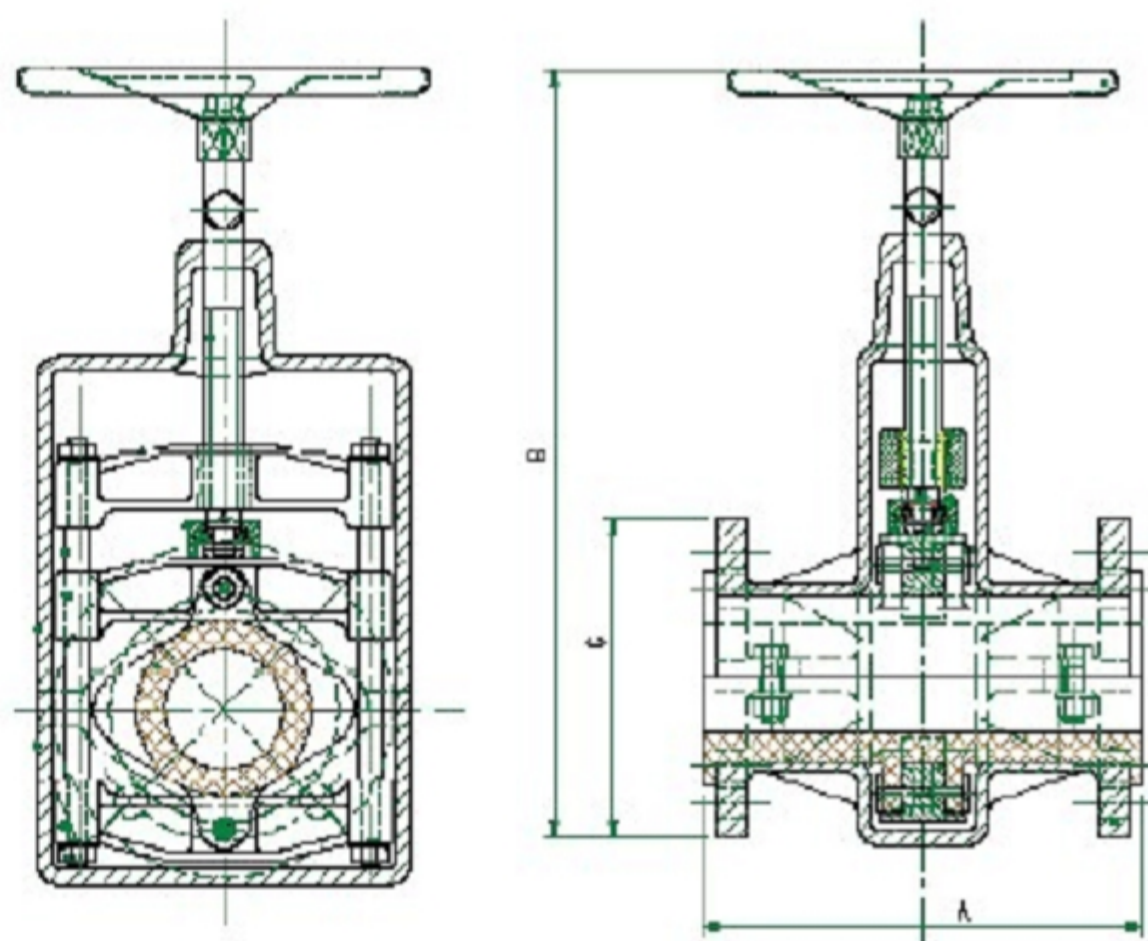


Valvole OV tipo M

Valvole a pinza meccaniche Serie OV - tipo M



Mechanical Pinch Valves OV series - type M



Valvola a manicotto con volantino

Azionamento: manuale con volantino

Meccanismo di apertura/chiusura:

DN 15-50mm: semplice effetto

DN 65-250mm: doppio effetto

Pinch Valve with handwheel

Operation: Manual with handwheel

Opening / closing mechanism:

DN 15-50mm: single acting

DN 65-250mm: double acting

OV-M DN 15-250

DN	A	B	C	Viti (screws)	TK* (mm)	d* (mm)	PS max (bar)	Peso Weight (kg)
15	162	195	95	4	65	14	5	1,8
20	162	210	105	4	75	14	5	1,9
25	196	225	115	4	85	14	5	2,7
32	196	250	140	4	100	18	5	3,0
40	216	285	150	4	110	18	5	4,0
50	246	300	165	4	125	18	5	5,0
65	256	445	185	4	145	18	5	11,5
80	276	490	200	4	160	18	5	13,0
100	316	530	220	8	180	18	5	17,0
125	325	670	250	8	210	18	3	25,5
150	325	790	285	8	240	22	3	30,0
175	355	900	315	8	270	22	3	45,0
200	370	850	340	8	295	22	3	45,0
250	524	1090	395	12	350	22	2	80,0

* = Raccordo a flangia/Flange connection: TK= Centro del foro / pitch circle
d = foratura vite / bolt holes