

ECR

Controller



CONTENTS

Product introduction	Intro Pages
● Specifications/How to order/Dimensions/System configuration	46
· Parallel I/O (PIO)	48
· IO-Link	52
· CC-Link	53
· EtherCAT	54
· Cables	55
· Related parts	56
⚠ Safety precautions	58

FLSH

FLCR

FGRC

ECR
(controller)

Safety
precautions



Controller ECR Series

All sizes of EBS, EBR, FLSH, FLCR, and FGRC can be operated with the same controller



How to order

ECR-MNNN3B - **NP** **A** **02**

A Interface specifications

NP	Parallel I/O (NPN and PNP common)
LK	IO-Link
CL	CC-Link
EC	EtherCAT

B Mounting method

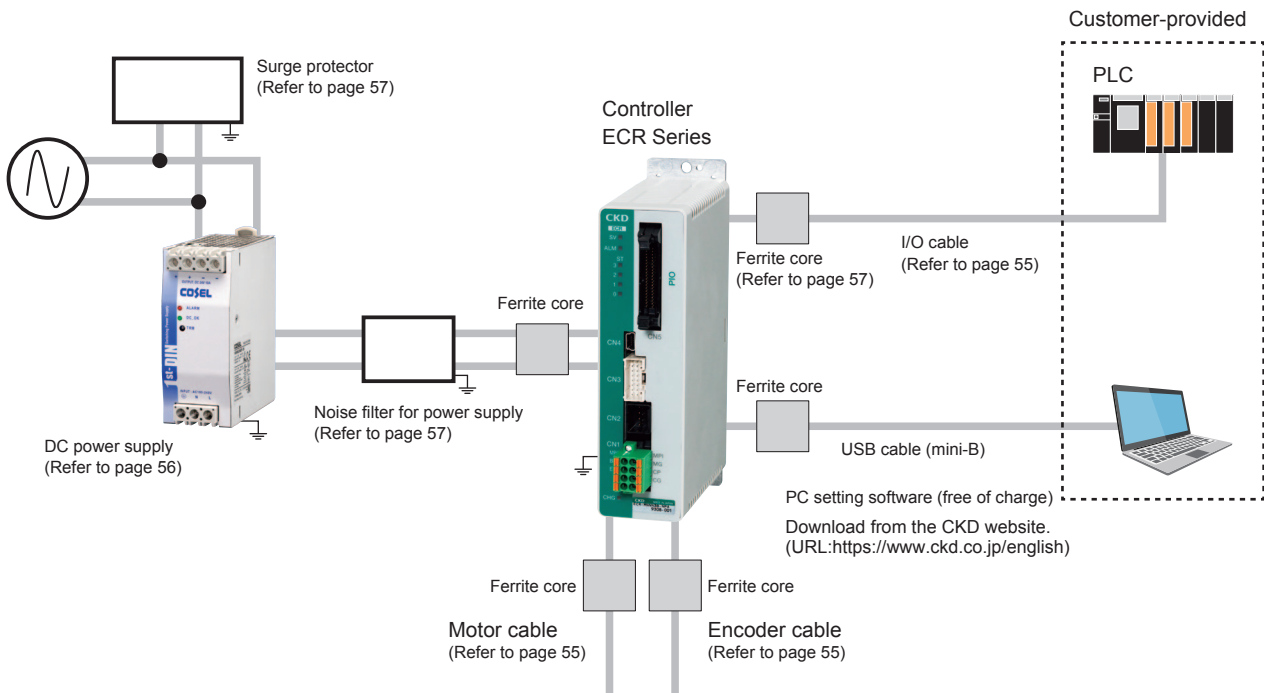
A	Standard mount
D	DIN rail mount

C I/O cable length *1

00	None
02	2 m
03	3 m
05	5 m
10	10 m

*1 Select "None" when selecting interface specifications other than "Parallel I/O".

System configuration



Connectable actuators



EBS-M Series
(Catalog No. CC-1422A)



EBR-M Series
(Catalog No. CC-1422A)



FLSH Series
(Page 1)



FLCR Series
(Page 13)



FGRC Series
(Page 29)

*Refer to the Instruction Manual for details on installing and wiring noise filters, surge protectors, and ferrite cores.

General specifications

Descriptions		Content							
Applicable actuators		EBS/EBR				FLSH/FLCR/FGRC			
Applicable motor sizes		<input type="checkbox"/> 35	<input type="checkbox"/> 42	<input type="checkbox"/> 56	<input type="checkbox"/> 20	<input type="checkbox"/> 25	<input type="checkbox"/> 25L	<input type="checkbox"/> 35	
Setting tools		PC setting software (S-Tools) Connection cable: USB cable (mini-B)							
External interface	Parallel I/O specification	24 VDC ±10%, input/output max. 16 points, cable length max. 10 m							
	Field network specification	IO-Link, CC-Link, EtherCAT							
Display lamp		Servo ON/OFF LED, alarm status LED Status LED, communication status LED (according to each interface specification)							
Power supply voltage	Control power	24 VDC ±10% or 48 VDC ±10%							
	Power supply	24 VDC ±10% or 48 VDC ±10%							
Current consumption	Control power	0.6 A or less							
	Power supply	2.8 A or less	3.7 A or less	6.1 A or less	1.1 A or less	2.1 A or less	3.2 A or less	3.0 A or less	
Motor section maximum instantaneous current		4.0 A or less	5.2 A or less	8.6 A or less	1.5 A or less	3.0 A or less	4.5 A or less	4.2 A or less	
Brake current consumption		0.4 A or less							
Insulation resistance		10 MΩ and over at 500 VDC							
Withstand voltage		500 VAC for 1 minute							
Operating ambient temperature		0 to 40°C (no freezing)							
Operating ambient humidity		35 to 80% RH (no condensation)							
Storage ambient temperature		-10 to 50°C (no freezing)							
Storage ambient humidity		35 to 80% RH (no condensation)							
Working atmosphere		No corrosive gas, explosive gas, or dust							
Degree of protection		IP20							
Weight		Approx. 400 g (standard mount) Approx. 430 g (DIN rail mount)							

FLSH

FLCR

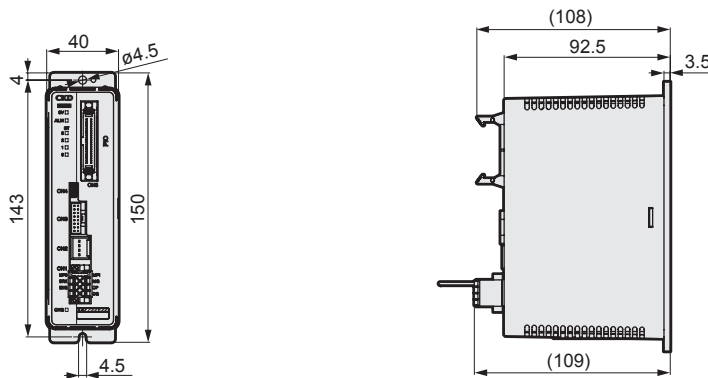
FGRC

ECR
(controller)

Safety
precautions

Dimensions

● Standard mount (ECR-MN3B-*A*)



● DIN rail mount (ECR-MN3B-*D*)

